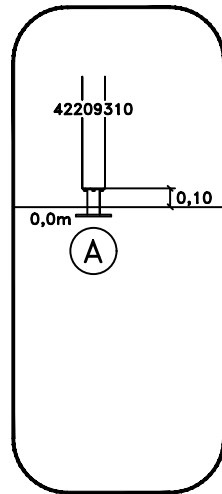
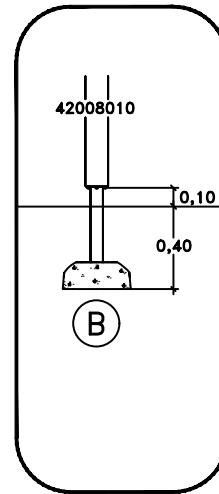


**260329**  
**422213**  
**423213**  
**424213**  
**426200**  
**448000**  
**42008010**  
**MA420994**  
**MA426121**  
**MASW37573**  
**MASW39775**  
**MASW42193**

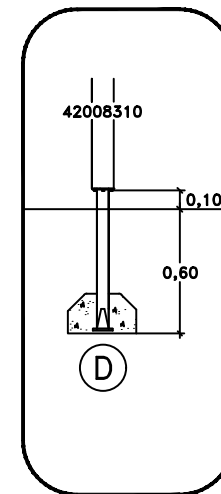
42008010



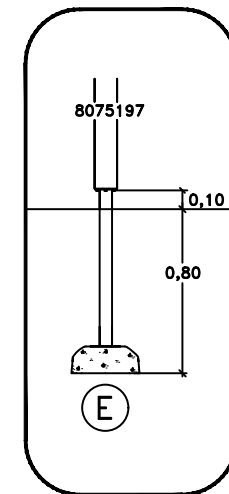
**OM**  
**Above Ground**  
 8070808



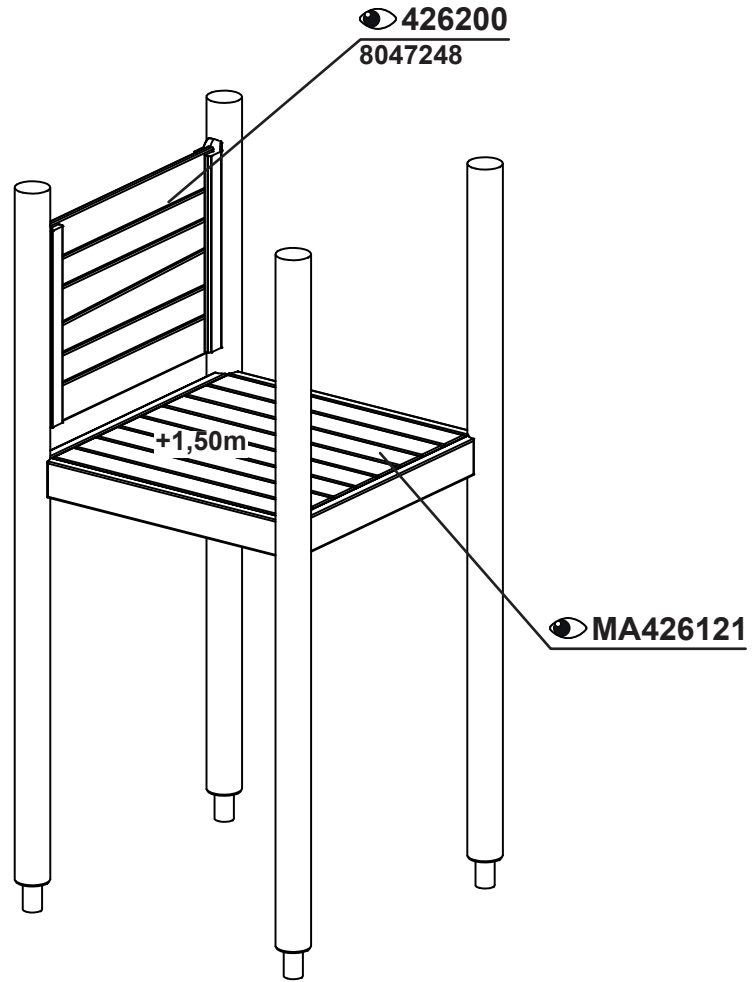
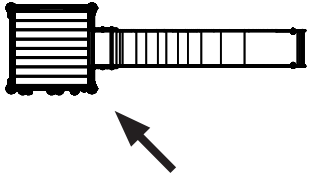
**SF**  
**Sunken Foundation**  
 8061744  
 8055415

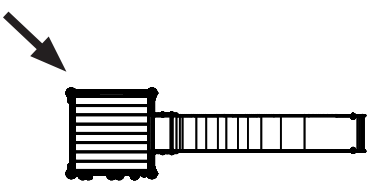


**CC**  
**Cast In Place**  
 8063244



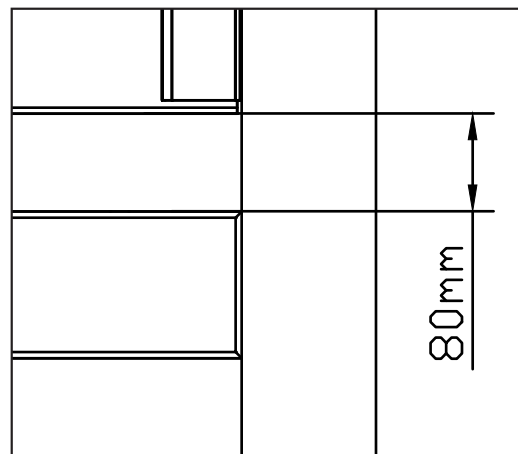
**BM**  
**Loosefill**  
 8080008  
 8071673



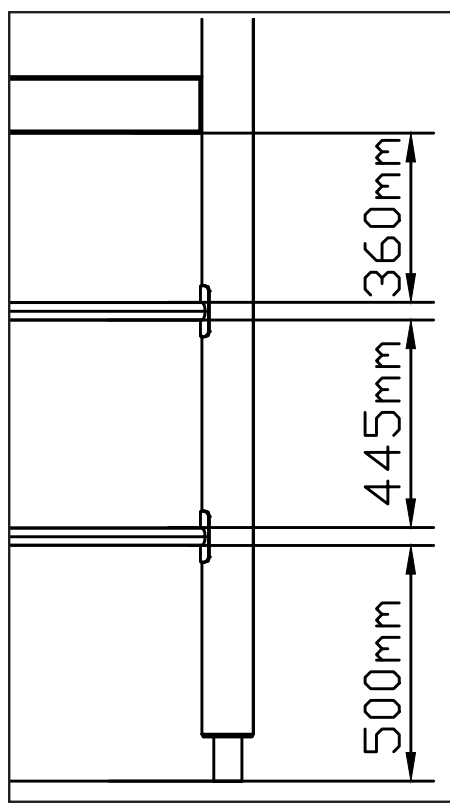


MA420994

x4



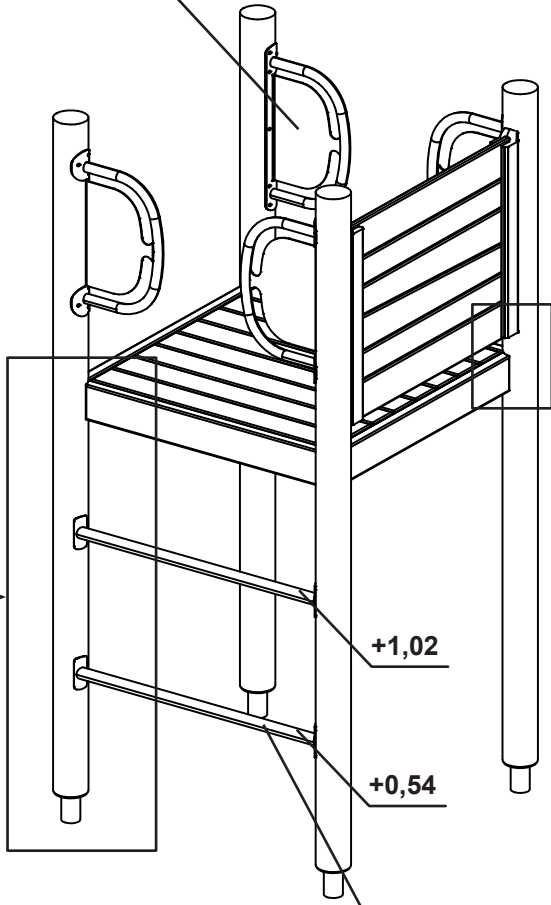
80mm



360mm

445mm

500mm

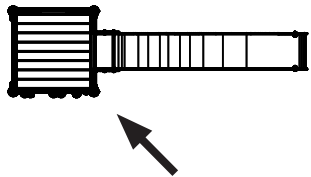


+1,02

+0,54

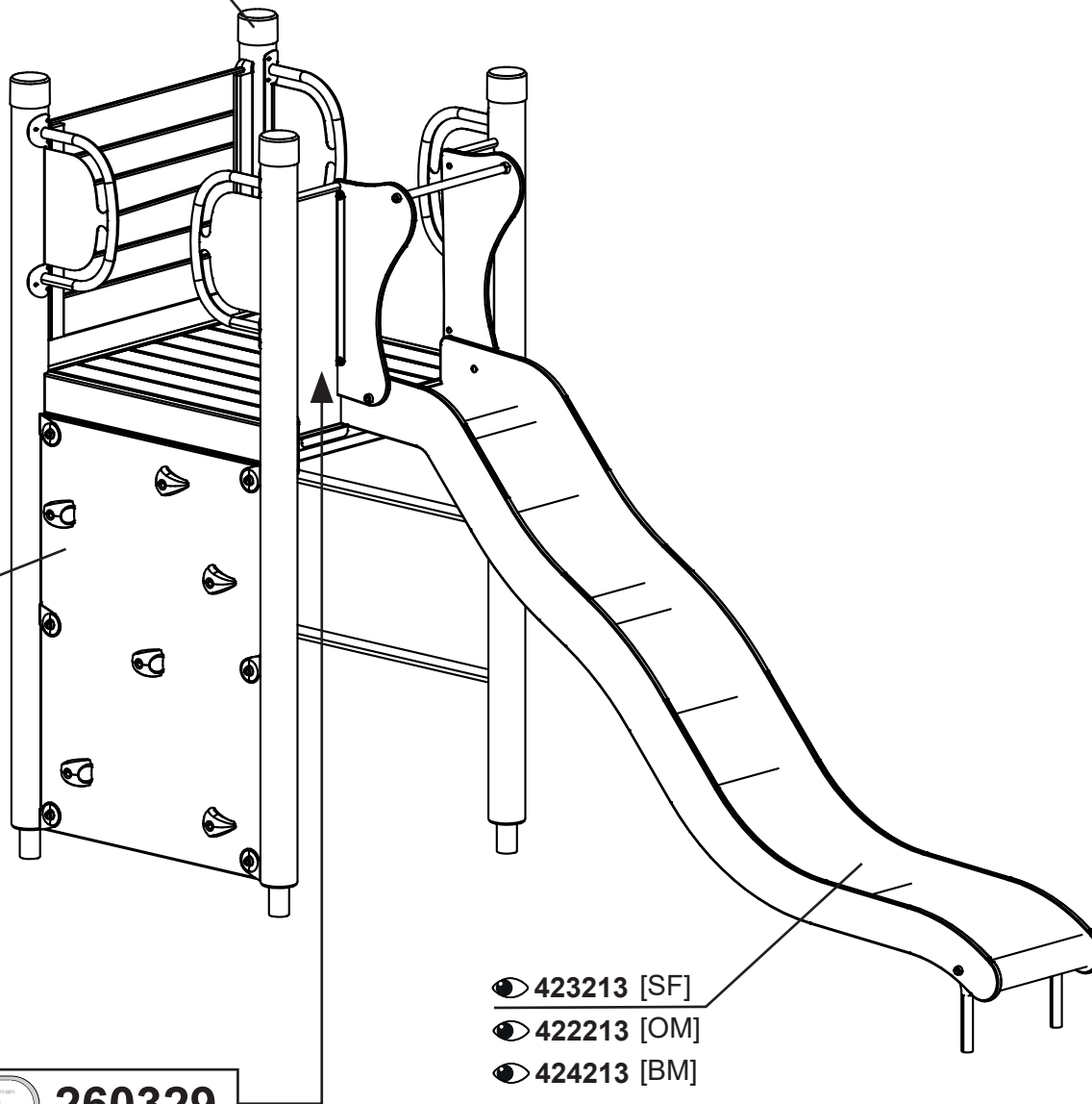
MASW37573

x2



● **MASW39775**  
x4

● **MASW42193**  
0,89m x 1,28m



- **423213 [SF]**
- **422213 [OM]**
- **424213 [BM]**

**HAGS**  
260329